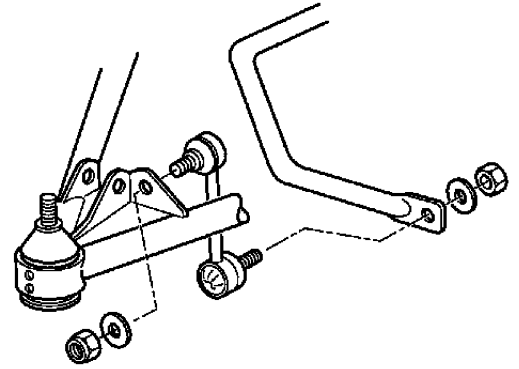


Stabiliser, Remove and Install



Remove, Disconnect

Links from stabiliser bar and lower wishbone - nuts.



T 9338



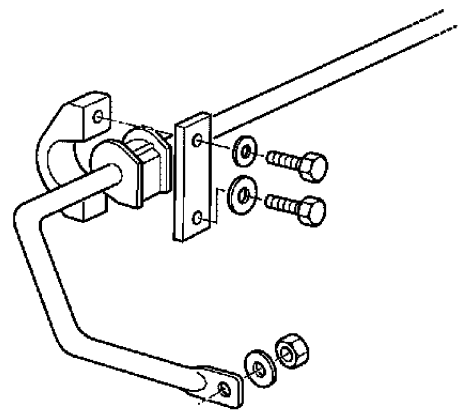
Remove, Disconnect

Stabiliser bar with pivot bushes from chassis - bolts, washers, clamps brackets and spacers.



Install, Connect

Stabiliser bar with pivot bushes to chassis - spacers, clamps, 8 bolts 25 Nm, washers.

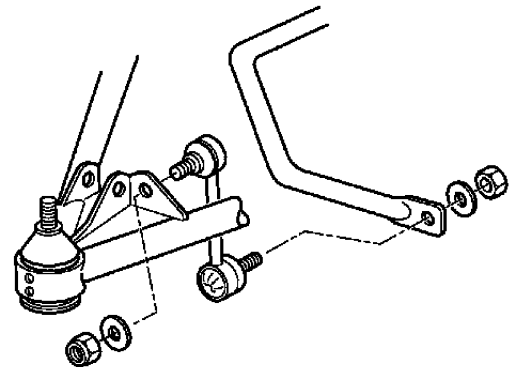


T 9339



Install, Connect

Links to stabiliser bar and lower wishbone - nuts.



T 9338